

(19) World Intellectual Property Organization
International Bureau



(43) International Publication Date
21 February 2002 (21.02.2002)

PCT

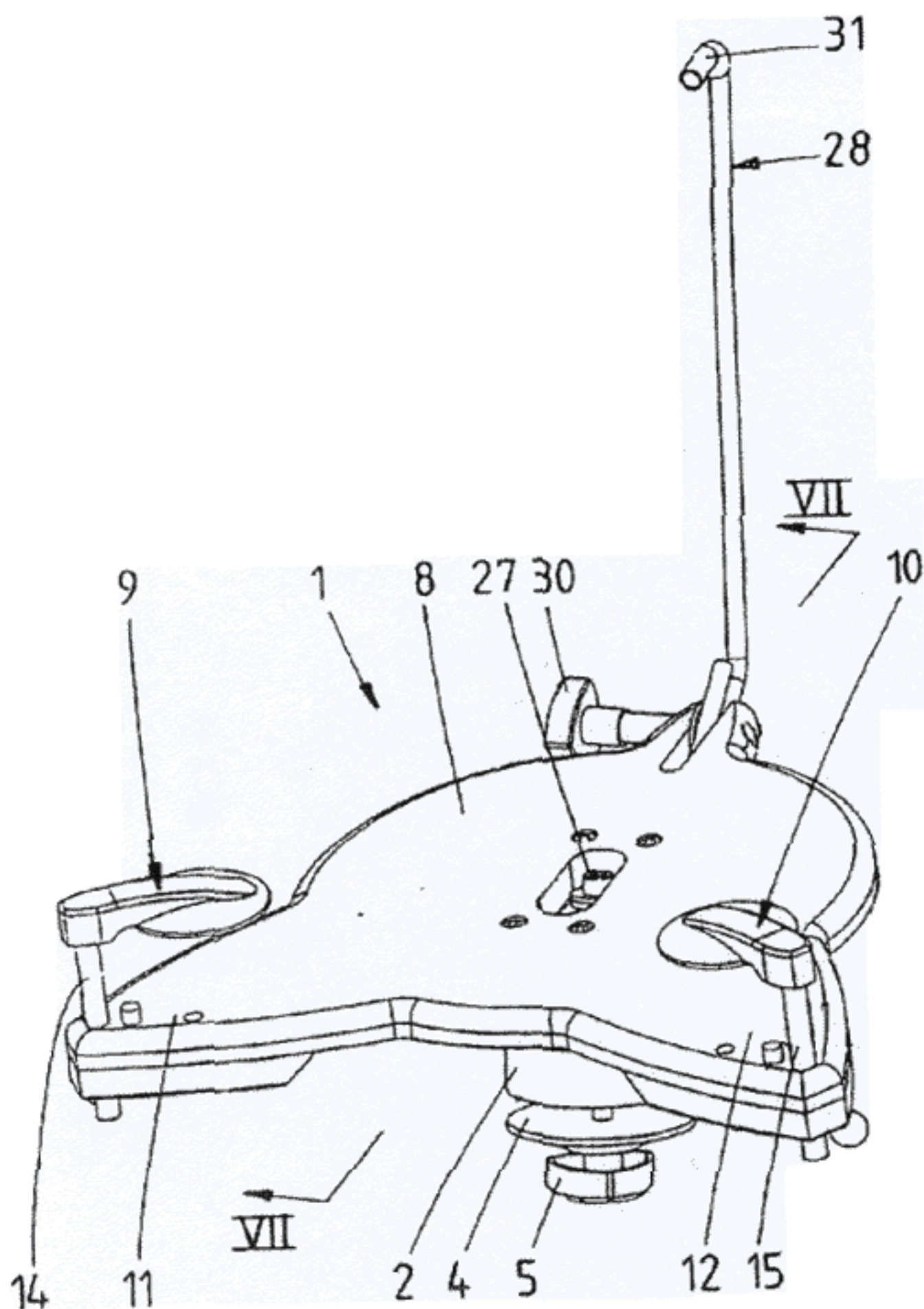
(10) International Publication Number
WO 02/13658 A1

- (51) International Patent Classification⁷: A47B 21/03, F16M 13/02, B60R 11/02
- (74) Agent: METMAN, Karel, Johannes; De Vries & Metman, Overschiestraat 180, NL-1062 XK AMSTERDAM (NL).
- (21) International Application Number: PCT/NL01/00578
- (81) Designated States (*national*): AE, AG, AL, AM, AT, AT (utility model), AU, AZ, BA, BB, BG, BR, BY, BZ, CA, CH, CN, CO, CR, CU, CZ, CZ (utility model), DE, DE (utility model), DK, DM, DZ, EC, EE, ES, FI, GB, GD, GE, GH, GM, HR, HU, ID, IL, IN, IS, JP, KE, KG, KP, KR, KZ, LC, LK, LR, LS, LT, LU, LV, MA, MD, MG, MK, MN, MW, MX, MZ, NO, NZ, PL, PT, RO, RU, SD, SE, SG, SI, SK, SK (utility model), SL, TJ, TM, TR, TT, TZ, UA, UG, US, UZ, VN, YU, ZA, ZW.
- (22) International Filing Date: 26 July 2001 (26.07.2001)
- (25) Filing Language: Dutch
- (26) Publication Language: English
- (30) Priority Data:

1015915	11 August 2000 (11.08.2000)	NL
1017150	19 January 2001 (19.01.2001)	NL
- (71) Applicant and
- (72) Inventor: STREEFKERK, Peter, Roeland [NL/NL]; P.P. Kroonstraat 15, NL-1486 MP West-Graftdijk (NL).
- (84) Designated States (*regional*): ARIPO patent (GH, GM, KE, LS, MW, MZ, SD, SL, SZ, TZ, UG, ZW), Eurasian patent (AM, AZ, BY, KG, KZ, MD, RU, TJ, TM), European patent (AT, BE, CH, CY, DE, DK, ES, FI, FR, GB, GR, IE, IT, LU, MC, NL, PT, SE, TR), OAPI patent (BF, BJ, CF,

[Continued on next page]

(54) Title: SECURING DEVICE FOR A PORTABLE COMPUTER



(57) Abstract: A securing device for a portable computer having a flat case, in particular for use in ships, comprises a support (1) fitted with a mounting element (4,5) for being mounted on a table. The computer can be placed on said support. Clamping means (8-10) are provided for clamping the portable computer down on said support. Said clamping means are so designed that they secure the portable computer in vertical direction with respect to the support (1), in particular at the location of the front corners of the portable computer. The securing device according to the invention can be universally applied for all kinds of portable computers, and it anchors the computer firmly in the desired position.

WO 02/13658 A1



Primeur
Novelty

General The Slide&Fix® Baseline is the most innovative laptop clamp for design and technique. Clamping is just locking the clamps with two grips. I cannot be any easier. Your laptop is seaworthy mounted in the Slide&Fix® Baseline.

Foto gallery Click [here](#) for pictures of the Slide&Fix® Baseline.

Specifications Type: Slide&Fix® Baseline
Overall dimensions (WxDxH): 440 x 403 x 137 mm
Weight starting at: 3,2 kg
Materials: Delrin, PVC, Aluminum en RVS
Height adjustable: Yes
Rotation: Yes
Tilting: variable between 0 - 66 degrees
Monitorsupport: Yes

Suitable for the following laptop chassis (open):
Chassis height: between 0 and 55 mm
Minimum width: 260 mm
Maximum width: 360 mm

Warranty The Slide&Fix® Baseline is warranted free for 1 year of manufacturing flaws and material defects.

Prices See our webshop: www.deltanet.nl

Packing list Box 1 - SF1 Wt: 3,4 kg Dim:
Parts:
1x 000.010 PVC SF1, with monitor support and integrated laptop clamps
1x 000.190 [instructions sheet](#)

Options RVS wall brackets
RVS flexarms

See [webshop](#) for more information

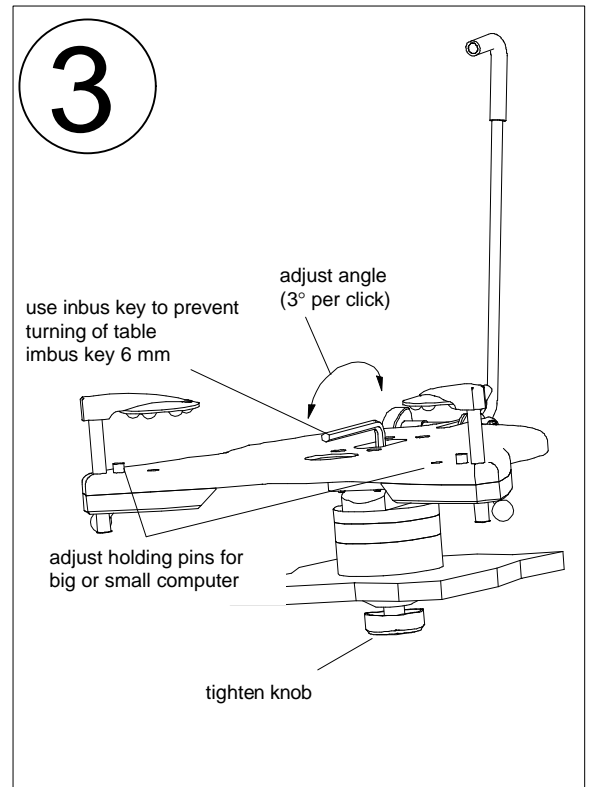
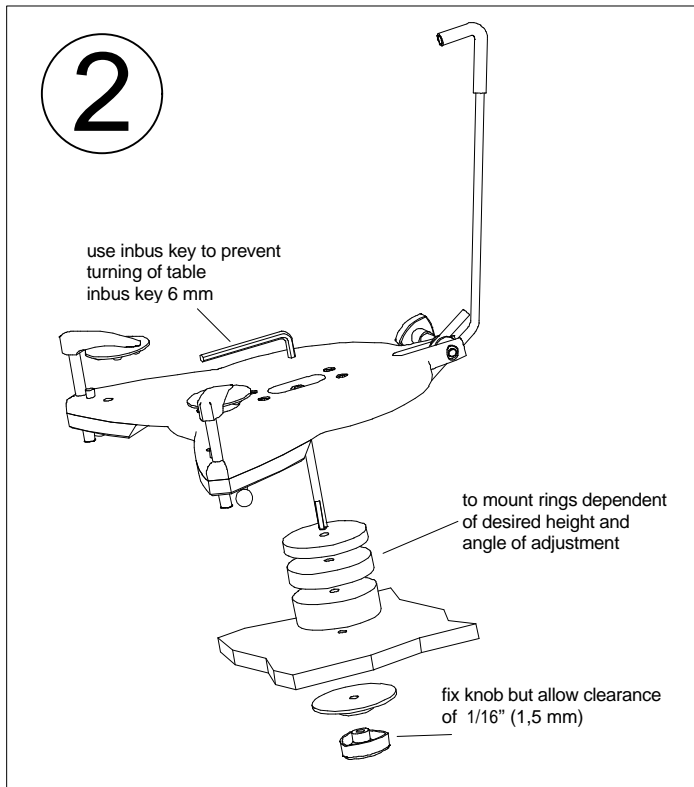
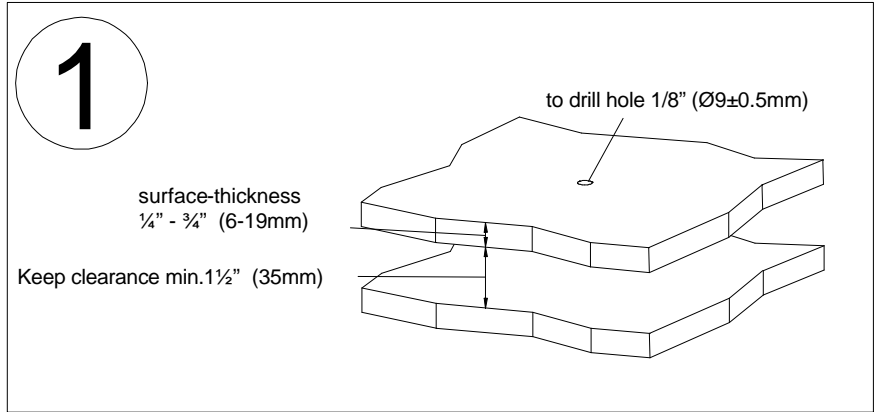
Brochures



Installation instructions Slide&Fix®

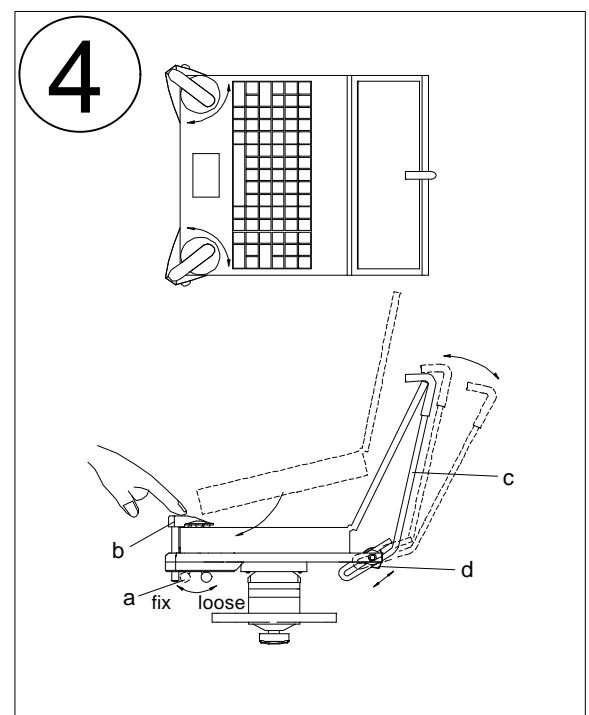
Installation Slide&Fix®

The Slide&Fix® is to be mounted on a smooth-surface. This surface must be strong enough to carry the weight of the Slide&Fix® plus the weight of the laptop(computer). The thickness of this surface, on which the Slide&Fix® is to be mounted, should be: minimum- 1/4" (6 mm), maximum-3/4" (19 mm). A clearance of minimum 1 1/2" (35 mm) should be allowed below the surface for adjusting the tightening knob.



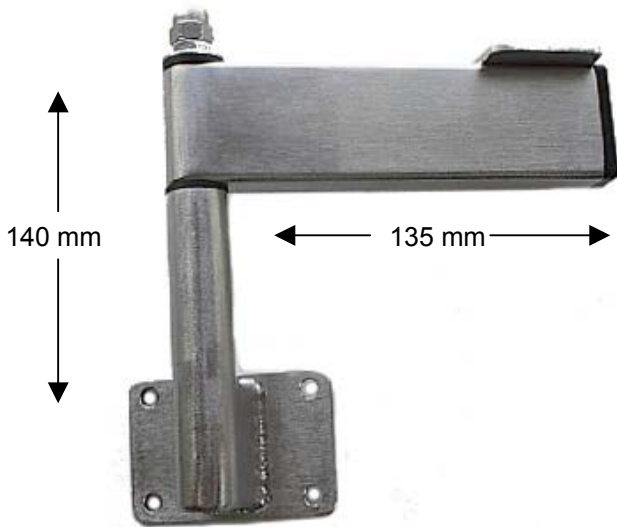
Mounting instructions laptop (computer)

Press down the clamphandles (a), which are located underneath the table, as far back as possible. Pull-up the clamps (b) in its top-position. Put the support (c) for laptop-screen in a clear position to allow easy movement of the laptop. Move the laptop, with its screen open underneath the clamps (b) until it fits against the round holding pins. Turn the clamps in a suitable mounting-position to be able to secure the laptop properly. Press down the clamps until they are in holding position for the laptop and pull the clamp-handles forward til the locking-point. Loosen knob (d) of the support (c) sufficiently to be able to move the laptop-screen freely. Adjust the laptop-screen in the desired position. Refix the screen-supports (c) and tighten the knob properly. The laptop is now ready for use.

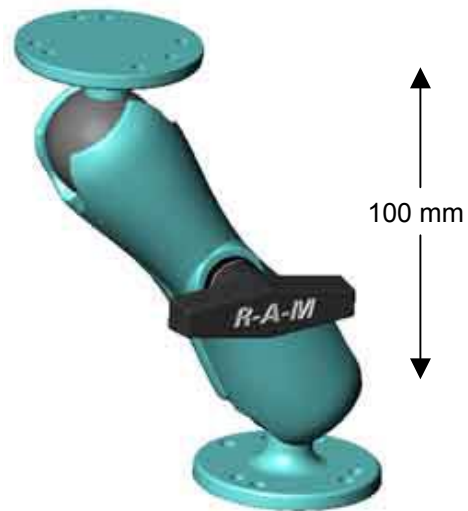


SLIDE&FIX®

MOUNT OPTIONS



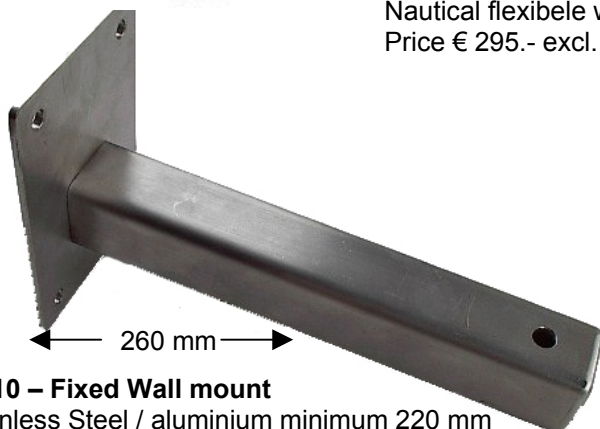
DN18 – Flexarm Short
Nautical flexibele wall mount from stainless
Price € 245.- excl. tax



DN16 – Ram mount
A super flexible aluminium mount system for SF3,
SF4. Price € 100.- excl. tax Look for more models on
www.rammount.com.



DN17 – Flexarm Long
Nautical flexibele wall mount from stainless steel
Price € 295.- excl. tax



DN10 – Fixed Wall mount
Stainless Steel / aluminium minimum 220 mm
Price € 150.- excl. tax

